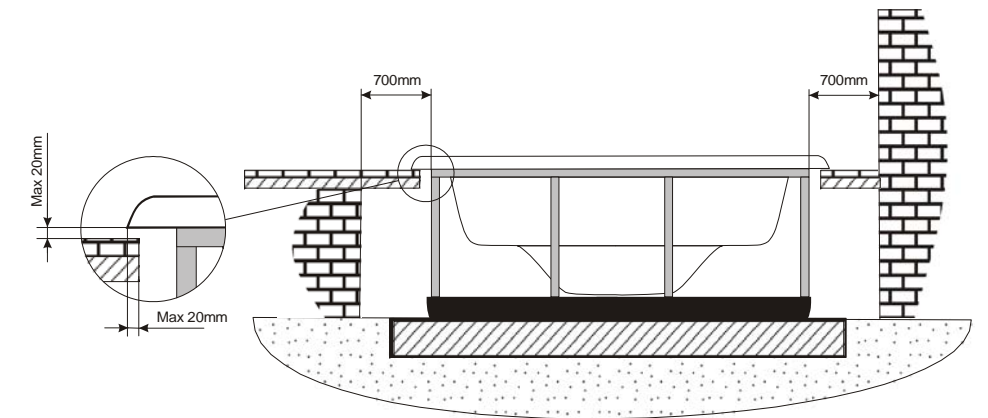


**Inground option**

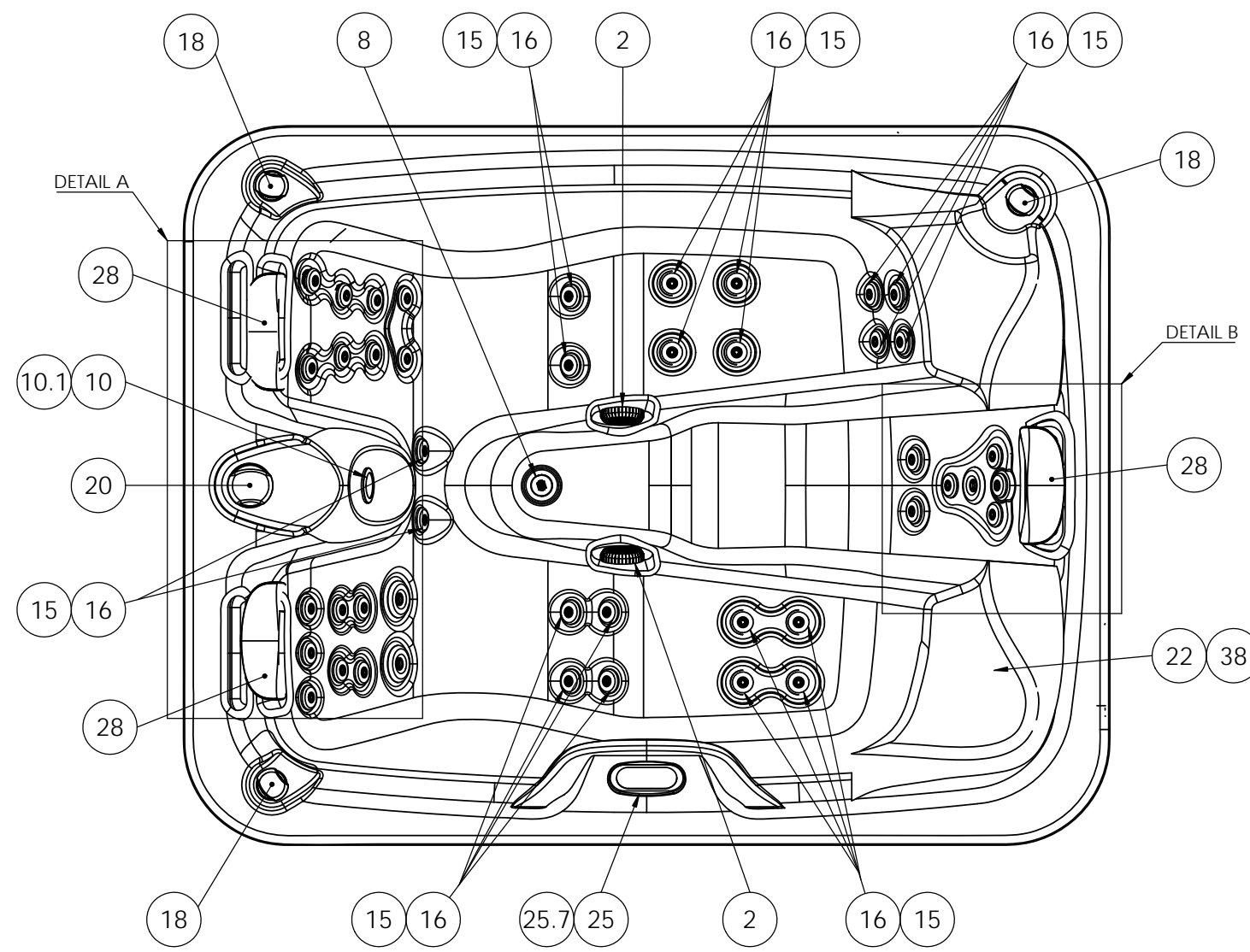
**WARNING:**

It's essential to keep a minimum clearance access of **700mm** all around.

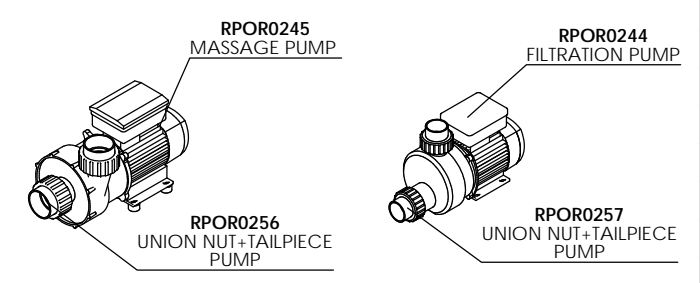


According to our policy of continuous improvement, dimensions, features or components of this product can be partially or completely changed without prior notice. It's Customer responsibility to verify that this is the last version of the drawing

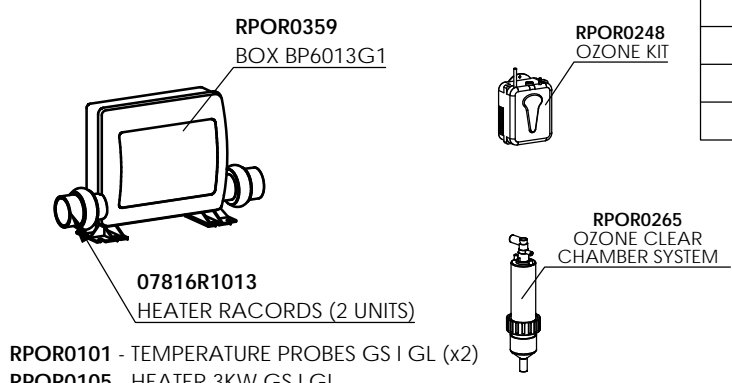
02	17/07/2017	V.Saiz	Update position of Electrical Board Connections Acces
01	10/05/2017	O. Faura	Changing of electronic parts references.
Change No.	Date	Name	Modification
Remarks			COMMERCIAL (2)
Dimensions in mm. General Tolerances +/- 10mm			
Drawn	15/03/2017	O. Faura	Part Number <b>69121</b>
Checked	15/03/2017	V. Saiz	
Scale	1:15	General Tolerance	Rev. <b>02</b>
Sheet	2/3	DIN 7168 ISO 2768g	
			First Angle Projection
Property of IBERSPA S.L. Avda. Pla d'Urgell 2-8 25200 Cervera, Spain. Don't use without permission. Keep this information confidential and use it solely for the permitted purpose.			



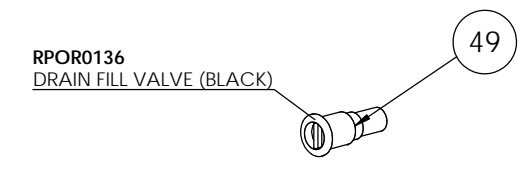
**PUMPS SPARE CODES**



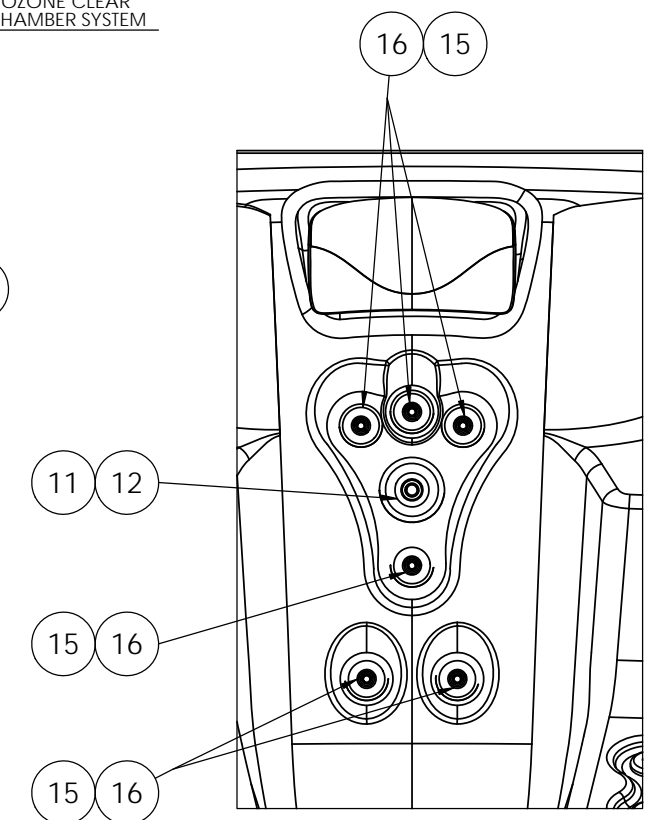
**HEATER AND DESINFECTION SPARE CODES**



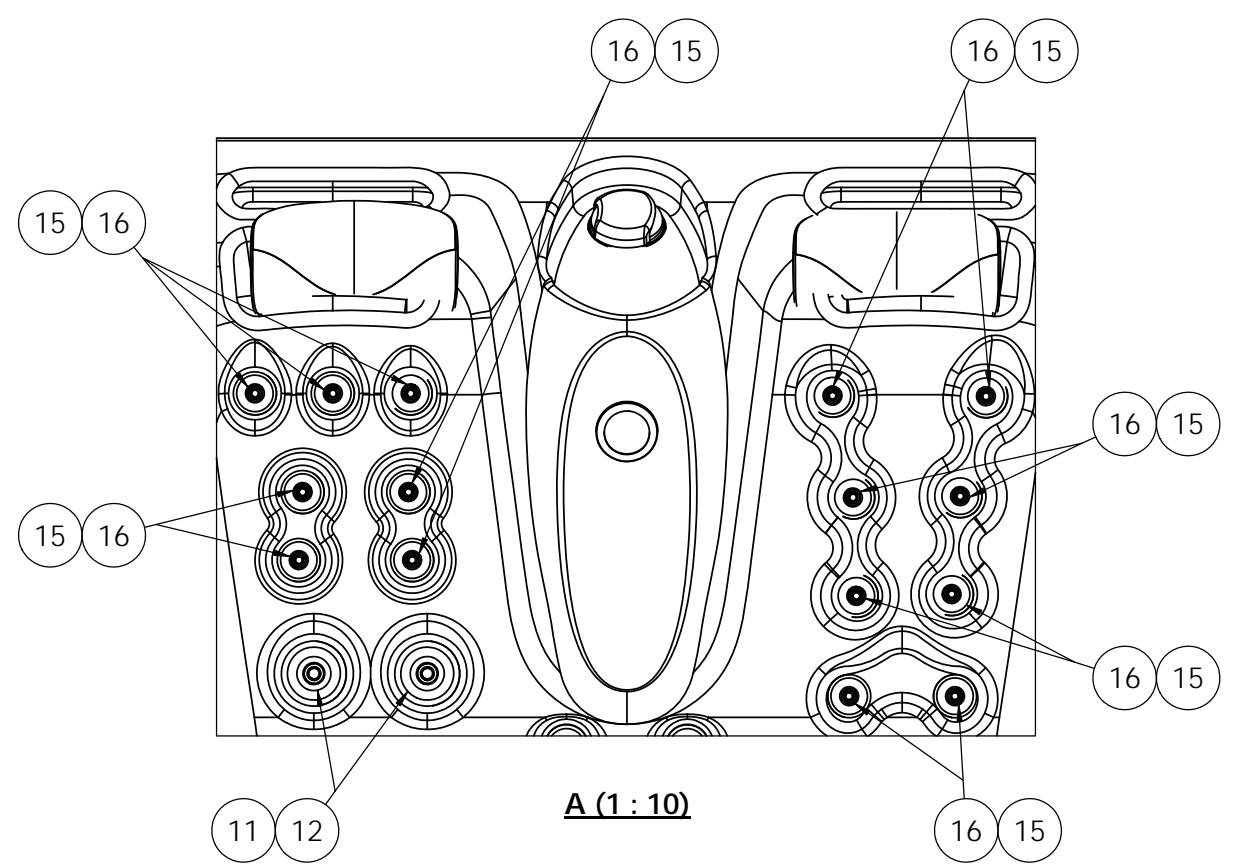
RPOR0101 - TEMPERATURE PROBES GS I GL (x2)  
 RPOR0105 - HEATER 3KW GS I GL  
 RPOR0359-A - DIGITAL PANEL BP6013G1



ACCESSORIES			
Position Num.	Part Nº SPARE	Description SPARE	Quant.
2	RPOR0225	GREY SPA DRAIN 2" ADAPTOR SOCKET D.50	4
8	RPOR0003	GREY DRAIN SET - BODY+COVER+ASSEMBLY	1
10	RPOR0239	SPOTLIGHT LED SET RD	2
10.1	RPOR0240	MASTER LED LIGHT	2
11	RPOR0236	JET BODY SET RD 3"	3
12	RPOR0231	FRONTAL JET 3" STAINLESS STEEL DIRECTIONAL	3
15	RPOR0235	JET BODY SET RD 2"	85
16	RPOR0230	FRONTAL JET 2" STAINLESS STEEL DIRECTIONAL	85
18	RPOR0261	VENTURY CONTROLLER SS	6
20	RPOR0262	3 WAYS SS VALVE 2"	2
22	RPOR0238	SKIMERFILTER RD LOW PROFILE	2
25	RPOR0355	CONTROL PANEL TP600	2
25.7	RPOR0355-E	COVER DIGITAL AQUAVIA PANEL TP600 (1 PUMP)	2
28	RPOR0032	SMALL HEADREST GREY	3
38	RPOR0247	FILTER CARTRIDGE SKIMERFILTER RD	2



**B (1 : 10)**



**A (1 : 10)**

According to our policy of continuous improvement, dimensions, features or components of this product can be partially or completely changed without prior notice. It's Customer responsibility to verify that this is the last version of the drawing

02	17/07/2017	V.Saiz	Update position of Electrical Board Connections Acces
01	10/05/2017	O. Faura	Changing of electronic parts references.
Change No.	Date	Name	Modification
Remarks			
Dimensions in mm. General Tolerances +/- 10mm			
Drawn	15/03/2017	O. Faura	
Checked	15/03/2017	V. Saiz	
Scale 1:15	General Tolerance DIN 7168 ISO 2768g		
Sheet 3/3			
		<b>SPARE PARTS DRAWING</b>	
		Part Number	Rev.
		69121	02
		First Angle Projection	
Property of IBERSPA S.L. Avda. Pla d'Urgell 2-8 25200 Cervera, Spain. Don't use without permission. Keep this information confidential and use it solely for the permitted purpose.			