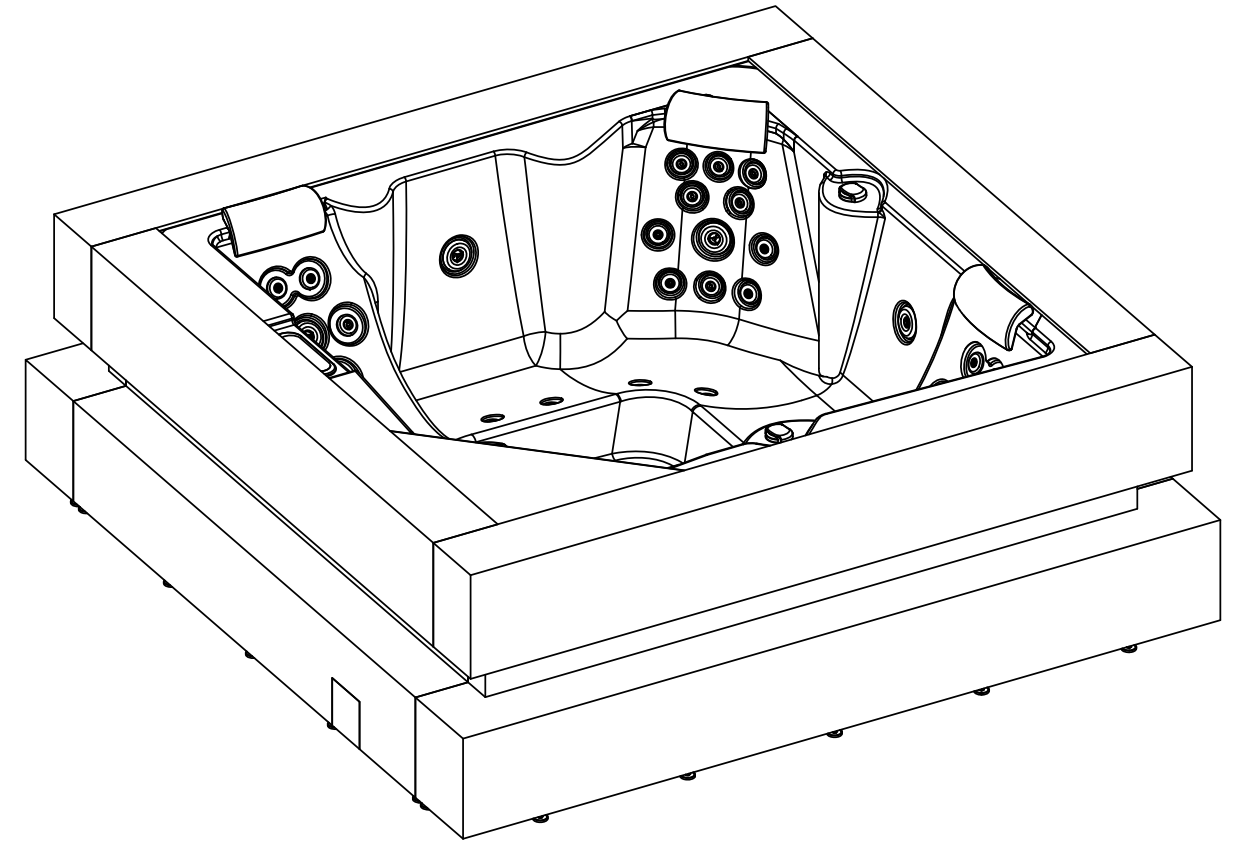


↑
DRAIN SIDE


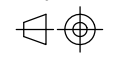
↑ ↑
ELECTRICAL BOARD CONNECTIONS ACCESS



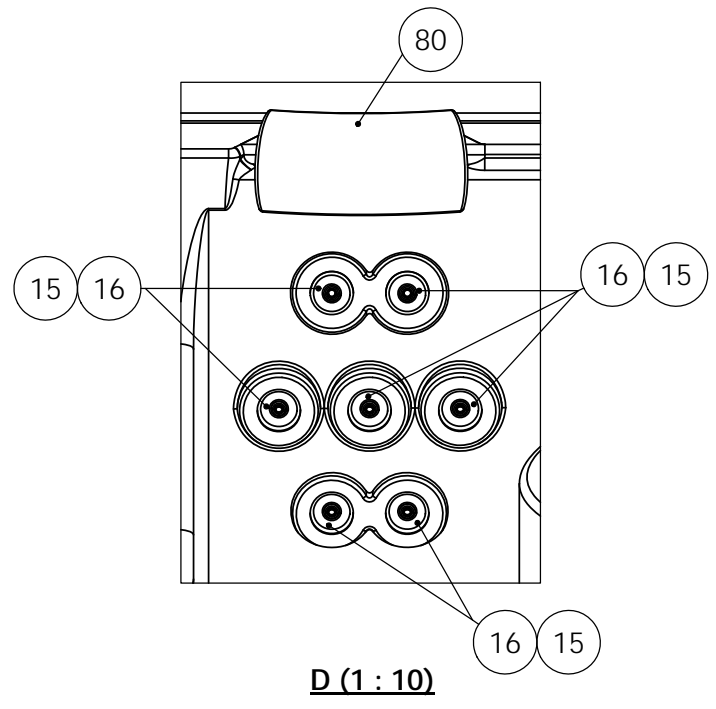
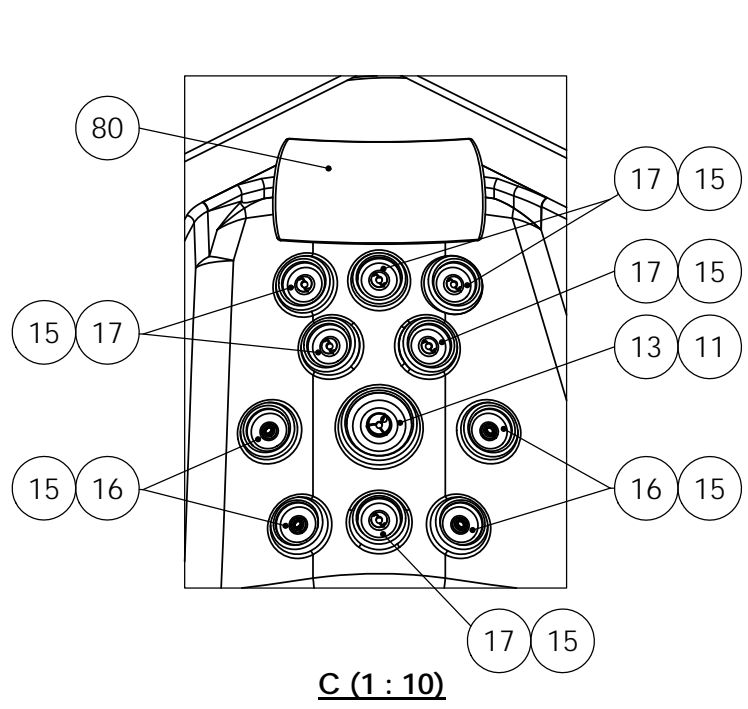
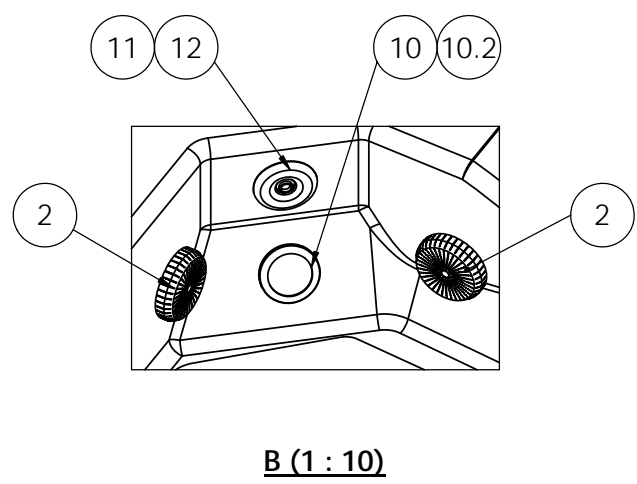
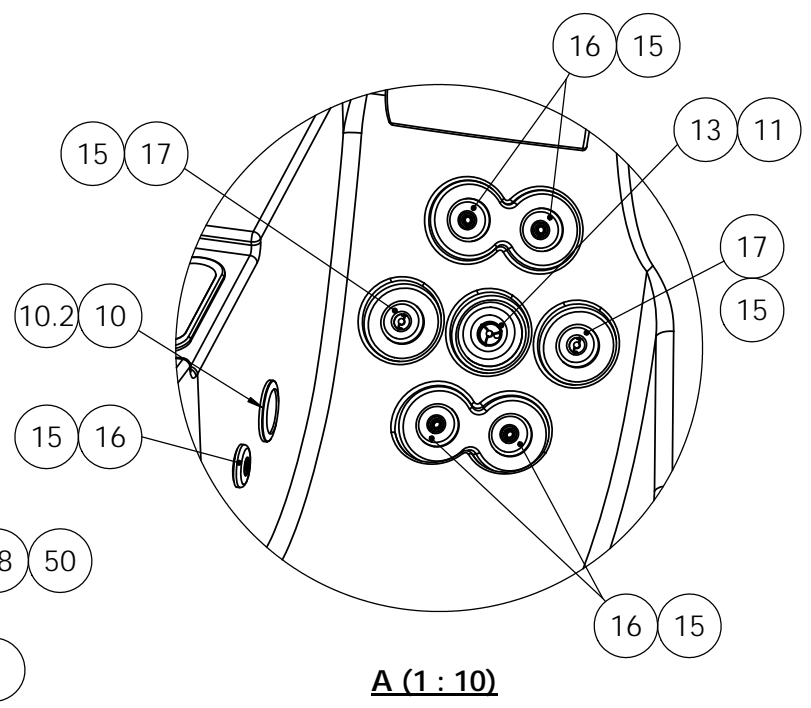
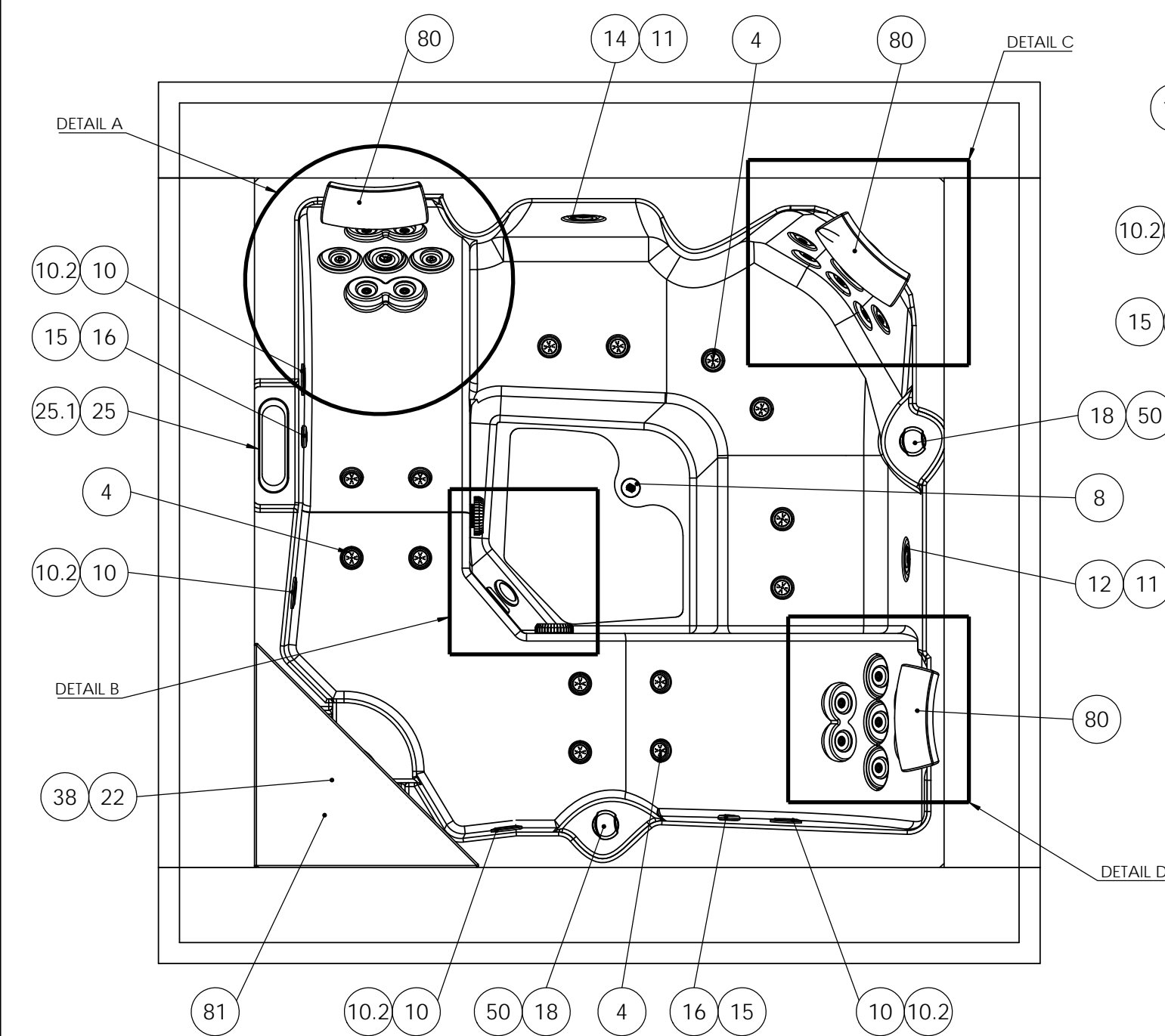
VALID FROM 09/06/2016

According to our policy of continuous improvement, dimensions, features or components of this product can be partially or completely changed without prior notice. It's Customer responsibility to verify that this is the last version of the drawing

Change No.	Date	Name	Modification
01	29/06/2016	I.Pozo	New spare templates
00	27/04/2016	I.Pozo	Creation

Remarks Dimensions in mm. General Tolerances +/- 10mm			COMMERCIAL		
Drawn	27/04/2016	I.Pozo		Part Number 67100	Rev. 01
Checked	-	V.Saiz			
Scale 1:20	General Tolerance DIN 7168 ISO 2768g				
Sheet 1/3					
					

ACCESSORIES			
Position Num.	PartNo SPARE	Description SPARE	Quant.
2	RPOR0225	GREY SPA DRAIN 2" ADAPTOR SOCKET D.50	2
4	REMP0046	WHITE-STAINLESS STEEL AIR NOZZLE	14
8	RPOR0003	GREY DRAIN SET - BODY+COVER+ASSEMBLY	1
10	RPOR0239	SPOTLIGHT LED SET RD	5
10.2	RPOR0252	LED SLAVE LIGHT	5
11	RPOR0236	JET BODY SET RD 3"	5
12	RPOR0231	FRONTAL JET 3" STAINLESS STEEL DIRECTIONAL	2
13	RPOR0232	FRONTAL JET 3" STAINLESS STEEL 1 JET ROTO	2
14	RPOR0233	FRONTAL JET 3" STAINLESS STEEL TWIN ROTO	1
15	RPOR0235	JET BODY SET RD 2"	25
16	RPOR0230	FRONTAL JET 2" STAINLESS STEEL DIRECTIONAL	17
17	RPOR0260	JET TWIN ROTO 2" INOX	8
18	RPOR0261	VENTURY CONTROLLER SS	2
22	RPOR0238	SKIMERFILTER RD LOW PROFILE	1
25	RPOR0195	DIGITAL PANEL VL700+COVER 1 PUMP + BLOWER	1
25.1	RPOR0201	COVER DIGITAL PANEL VL700 1 PUMP + BLOWER	1
38	RPOR0247	FILTER CARTRIDGE SKIMFILTER RD	1
49	RPOR0136	DRAIN FILL VALVE (BLACK)	1
50	RPOR0267	4 LEDS LIGHTS POINTS	2
70	RPOR0280	LEDS TRANSFORMER 5V DC	1
71	RPOR0281	LEDS CONTROLER	1
73	RPOR0259	CABLE 4 OUTPUTS + LEDS	8
80	RPOR0316	BLACK HEADRESTS NARVAL	3
81	RPOR0317	BLACK SKIMMER COVER NARVAL	1
100	RPOR0314	AQUATIC GRILL BLACK SPEAKER 2"	4
101	RPOR0320	MINISPEAKER BLACK 2"	4



VALID FROM 09/06/2016

According to our policy of continuous improvement, dimensions, features or components of this product can be partially or completely changed without prior notice. It's Customer responsibility to verify that this is the last version of the drawing

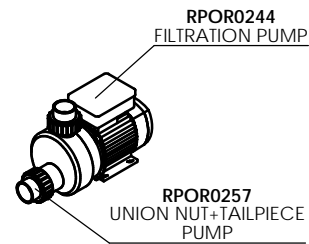
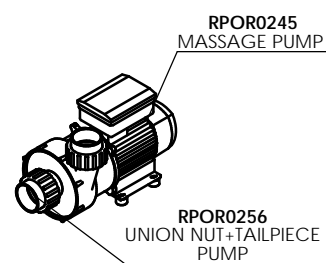
Change No.	Date	Name	Modification
01	29/06/2016	I.Pozo	New spare templates
00	27/04/2016	I.Pozo	Creation

Remarks		SPARE PARTS DRAWING	
Dimensions in mm. General Tolerances +/- 10mm			
Drawn	27/04/2016	I.Pozo	Part Number 67100
Checked	-	V.Saiz	
Scale	1:15	General Tolerance DIN 7168 ISO 2768g	Rev. 01
Sheet	2/3		First Angle Projection

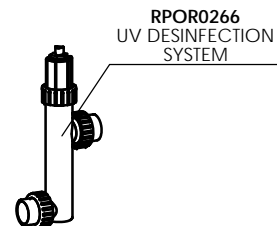
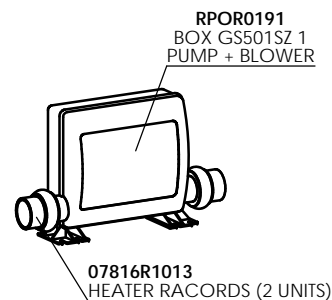
Property of IBERSPA S.L. Avda. Pla d'Urgell 2-8 25200 Cervera, Spain. Don't use without permission. Keep this information confidential and use it solely for the permitted purpose.



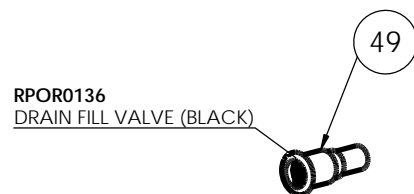
PUMPS SPARE CODES



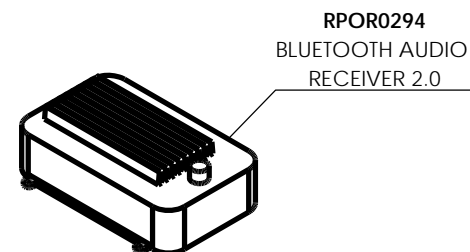
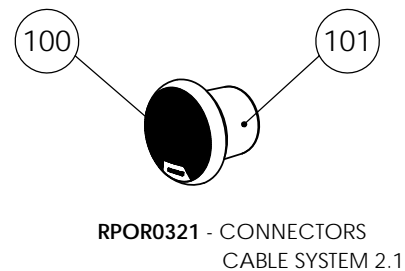
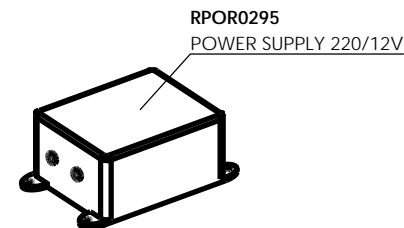
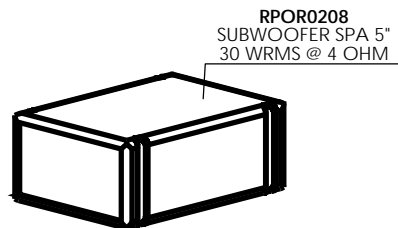
HEATER AND DESINFECTION SPARE CODES



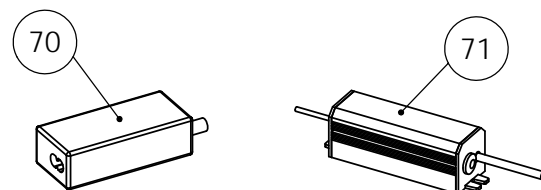
RPOR0101 - TEMPERATURE PROBES GS I GL (x 2)
RPOR0105 - HEATER 3 KW GS I GL
RPOR0197 - DIGITAL PANEL GS501SZ



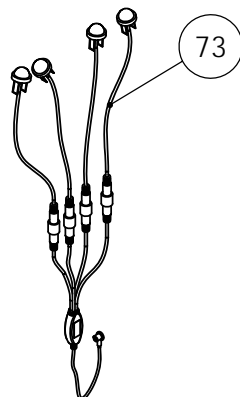
AUDIO SPARE CODES



LIGHT COMPONENTS SPARE CODES



PURE LINE LIGHTING SPARE CODES



ACCESSORIES			
Position Num.	PartNo SPARE	Description SPARE	Quant.
2	RPOR0225	GREY SPA DRAIN 2" ADAPTOR SOCKET D.50	2
4	REMP0046	WHITE-STAINLESS STEEL AIR NOZZLE	14
8	RPOR0003	GREY DRAIN SET - BODY+COVER+ASSEMBLY	1
10	RPOR0239	SPOTLIGHT LED SET RD	5
10.2	RPOR0252	LED SLAVE LIGHT	5
11	RPOR0236	JET BODY SET RD 3"	5
12	RPOR0231	FRONTAL JET 3" STAINLESS STEEL DIRECTIONAL	2
13	RPOR0232	FRONTAL JET 3" STAINLESS STEEL 1 JET ROTO	2
14	RPOR0233	FRONTAL JET 3" STAINLESS STEEL TWIN ROTO	1
15	RPOR0235	JET BODY SET RD 2"	25
16	RPOR0230	FRONTAL JET 2" STAINLESS STEEL DIRECTIONAL	17
17	RPOR0260	JET TWIN ROTO 2" INOX	8
18	RPOR0261	VENTURY CONTROLLER SS	2
22	RPOR0238	SKIMERFILTER RD LOW PROFILE	1
25	RPOR0195	DIGITAL PANEL VL700+COVER 1 PUMP + BLOWER	1
25.1	RPOR0201	COVER DIGITAL PANEL VL700 1 PUMP + BLOWER	1
38	RPOR0247	FILTER CARTRIDGE SKIMFILTER RD	1
49	RPOR0136	DRAIN FILL VALVE (BLACK)	1
50	RPOR0267	4 LEDS LIGHTS POINTS	2
70	RPOR0280	LEDS TRANSFORMER 5V DC	1
71	RPOR0281	LEDS CONTROLER	1
73	RPOR0259	CABLE 4 OUTPUTS + LEDS	8
80	RPOR0316	BLACK HEADRESTS NARVAL	3
81	RPOR0317	BLACK SKIMMER COVER NARVAL	1
100	RPOR0314	AQUATIC GRILL BLACK SPEAKER 2"	4
101	RPOR0320	MINISPEAKER BLACK 2"	4

VALID FROM 09/06/2016

According to our policy of continuous improvement, dimensions, features or components of this product can be partially or completely changed without prior notice. It's Customer responsibility to verify that this is the last version of the drawing

01	29/06/2016	I.Pozo	New spare templates
00	27/04/2016	I.Pozo	Creation
Change No.	Date	Name	Modification
Remarks			
Dimensions in mm. General Tolerances +/- 10mm			
Drawn	27/04/2016	I.Pozo	
Checked	-	V.Saiz	
Scale 1:15	General Tolerance DIN 7168 ISO 2768g		
Sheet 3/3			
		SPARE PARTS DRAWING	
		Part Number	Rev.
		67100	01
		First Angle Projection	
Property of IBERSPA S.L. Avda. Pla d'Urgell 2-8 25200 Cervera, Spain. Don't use without permission. Keep this information confidential and use it solely for the permitted purpose.			